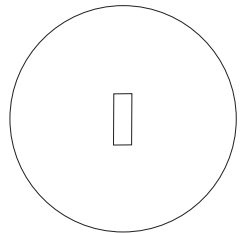
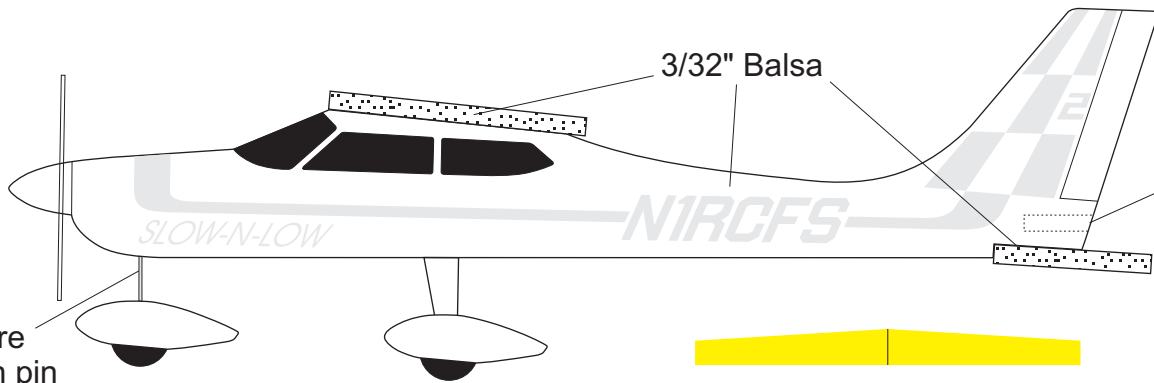


Clear plastic prop disc



Wire (push pin cut to length).



Landing gear

Approx. wire handle location.

