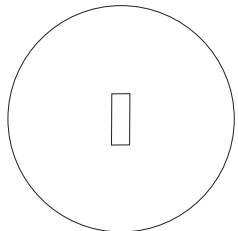
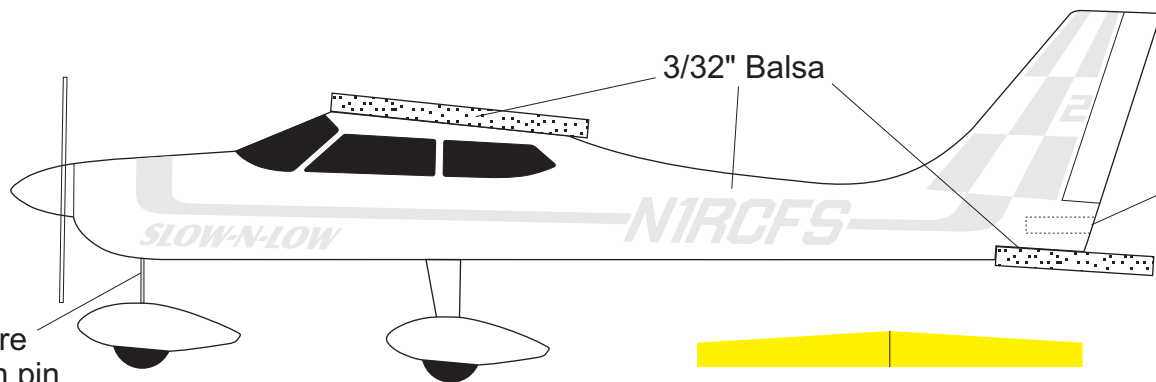


Clear plastic prop disc



Wire (push pin cut to length).



Approx. wire handle location.



Landing gear

